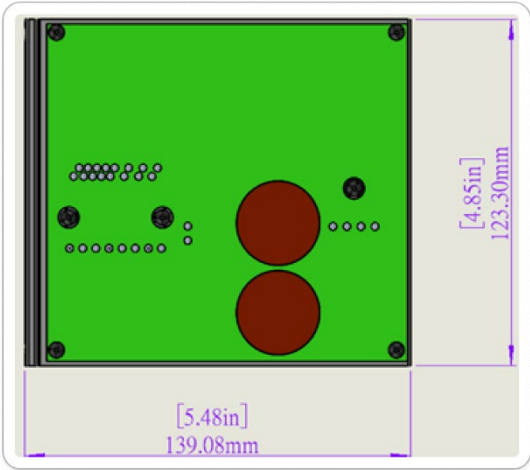
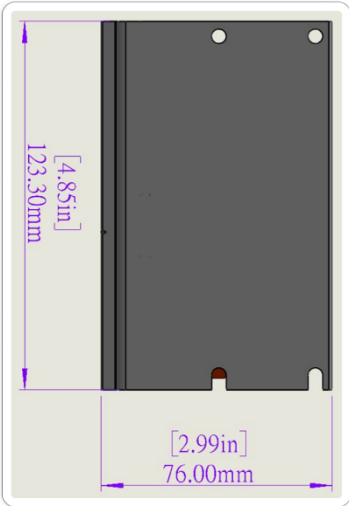


Motor Controller Dimensions

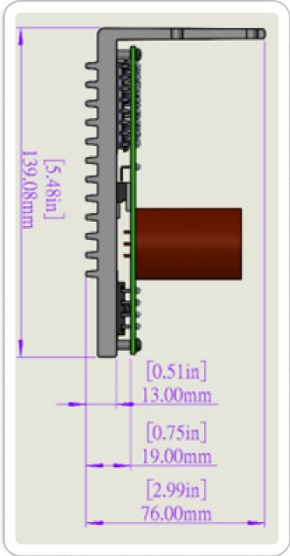
Top



Back



Side

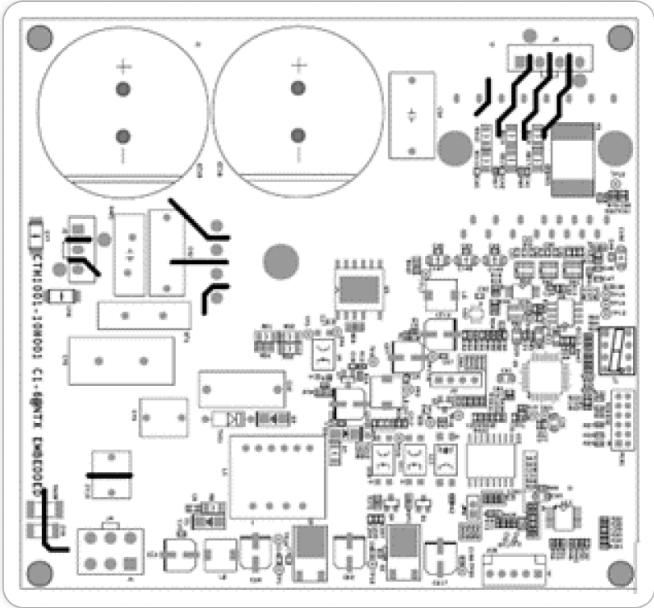


J5

J2



J4

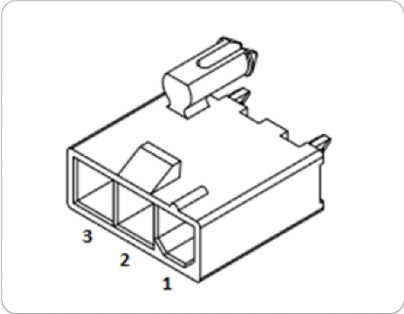


Connector	Benefits
J2	Power In
J4	Enable, Speed, Status

J5Power Out TO motor

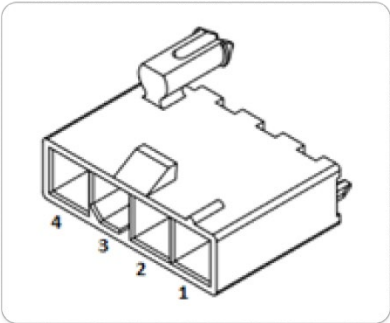
Connector Pinouts

J2. Power In



Pin No.	Signal
1	Earth Ground
2	L1 - Line
3	L2 - Neutral

J5. Power Out to Motor



Pin No.	Signal
1	Power U
2	Power v
3	Power w
4	Earth Ground

J4. Enable, Speed Control, Status



Pin No.	Signal
1	Speed Command In
2	Enable In
3	NC
4	Ground
5	OK Status Output
6	Ground